

Dimensions:
BMW-TYPE *

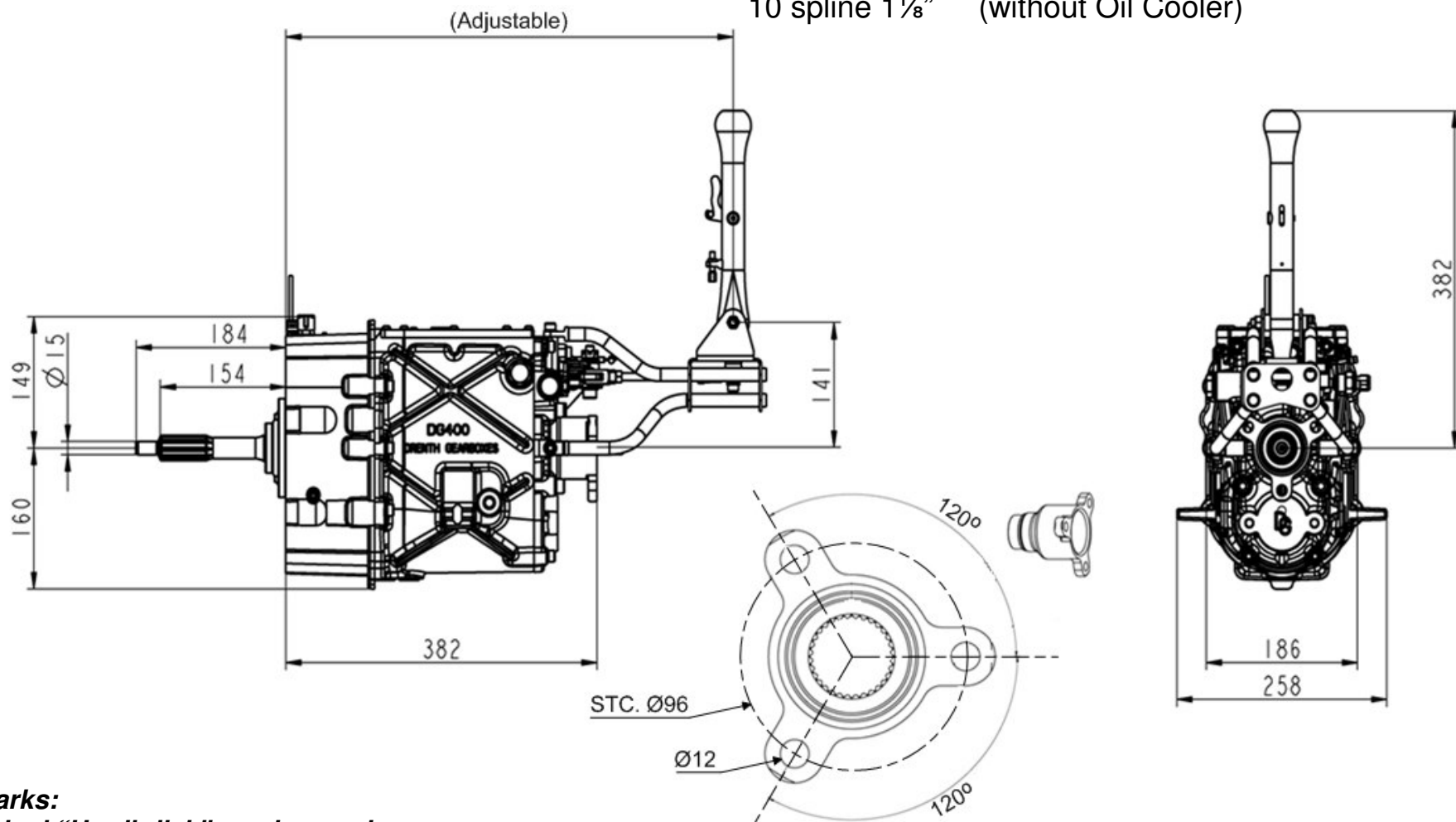
Weight:
33kg

Max torque:
430Nm **

Spline:
BMW-M3
10 spline 1 1/8"

Oil qty:
1.25 Litres
(without Oil Cooler)

Oil Type:
Castrol SAFX-J



Remarks:

*Original "Hardi-disk" can be used.

** Depending on gear-ratio and car weight

(All dimensions in mm)